



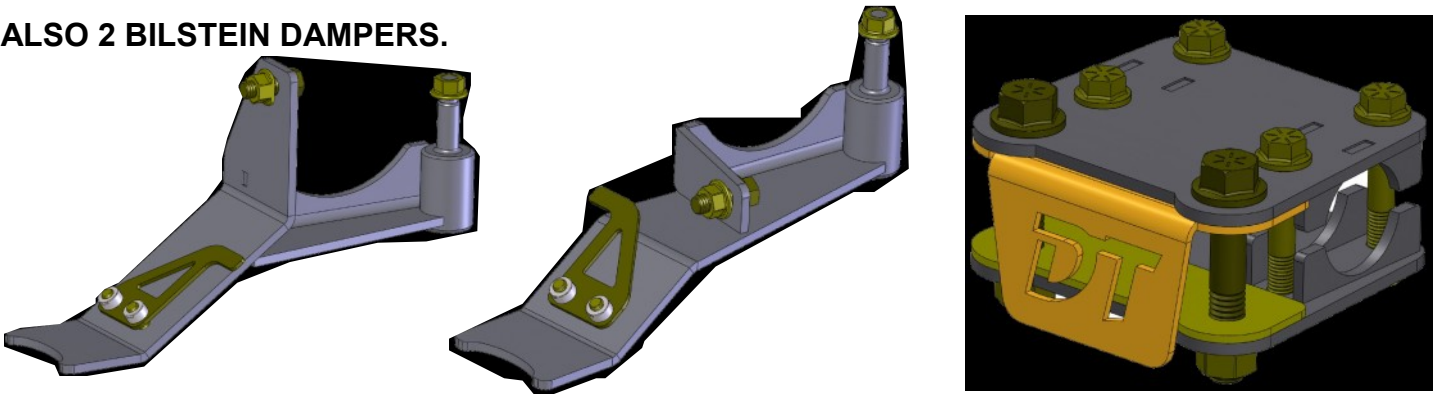
**DODGE RAM TRUCK**  
**PERFORMANCE SUSPENSIONS**  
**DTPO2026 DUAL DAMPER KIT**



Thank you for your purchase of the DT Profab Dual Damper Kit. Please check kit hardware before you start.

ITEM NO.	PART NUMBER	DESCRIPTION	QTY.
1	02026-110	DODGE GEN 3 DUAL STEER DAMPER MOUNT - DS	1
2	02026-120	DODGE GEN 3 DUAL O.E. STEER DAMPER MOUNT - PS	1
3	02026-152	DUAL DAMPER CLAMP	1
4	02026-160	PASSENGER SIDE NUT RETAINER	1
5	02026-160DS	DRIVER SIDE BOLT RETAINER	1
6	FLGNUT 50	MODIFIED 1/2"-13 FLANGE NUT	1
7	FLGNUT37	3/8"-16 FLANGE NUT	4
8	FLGBOLT50C275-GR8	1/2"-13 X 2.75" GRD 8 FLANGE BOLT	2
9	FLGBOLT50C125GRD8	1/2"-13 X 1.25" GRD 8 FLANGE BOLT	2
10	FLGBOLT37C250 GRD8	3/8"-16 X 2.50" GRD 8 FLANGE BOLT	4
11	FLGBOLT37C100_GR8	3/8"-16 X 1.00" GRD 8 FLANGE BOLT	4
12	FLGNUT 50	1/2"-13 FLANGE LOC NUT	5

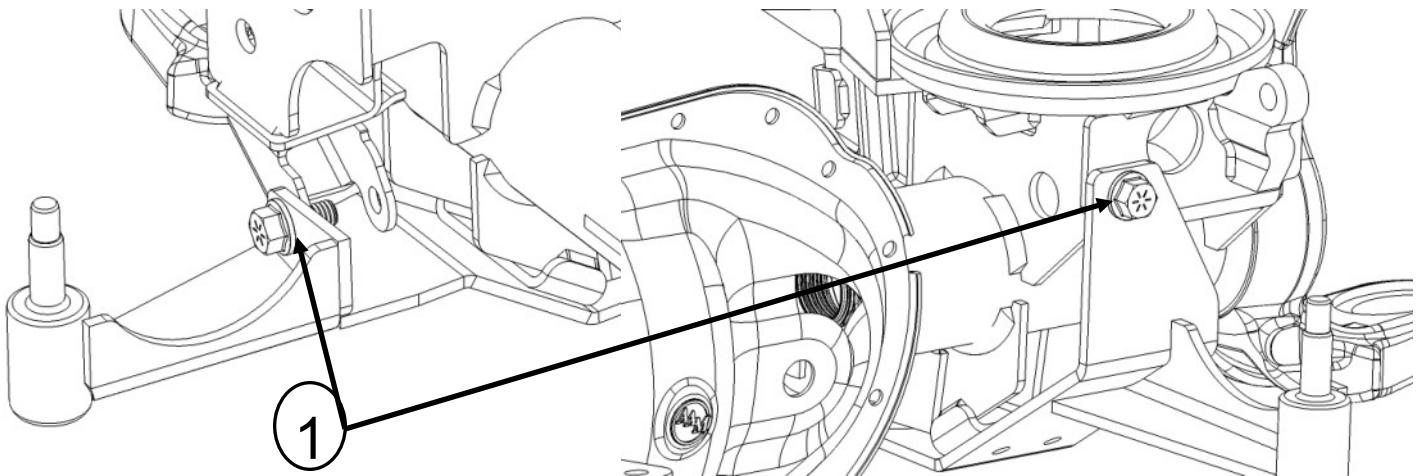
ALSO 2 BILSTEIN DAMPERS.



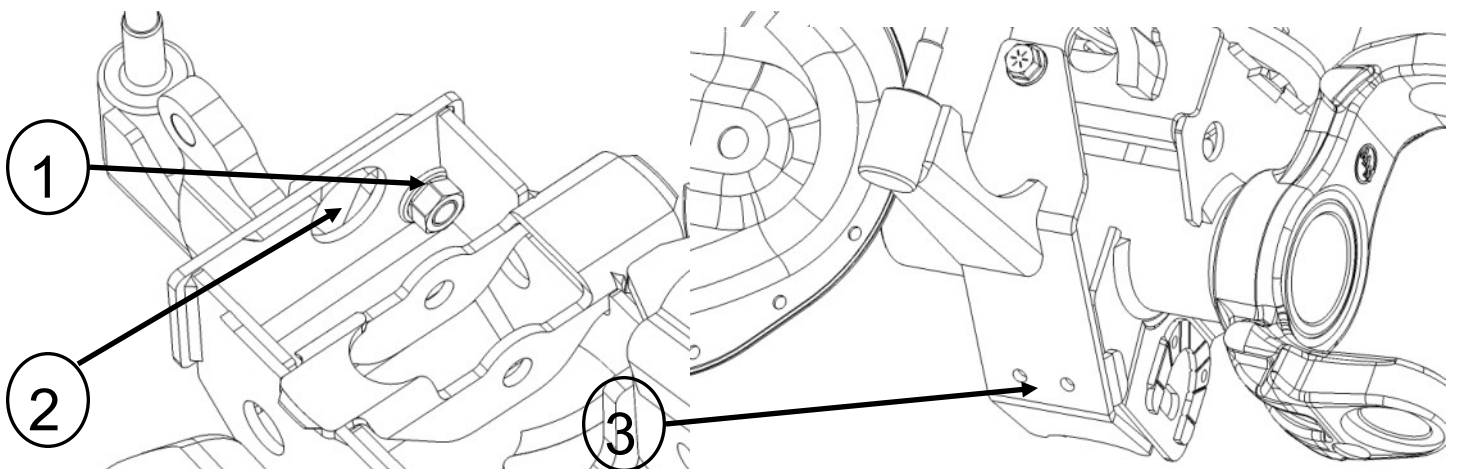
DRIVERS SIDE MOUNT

PASSENGERS SIDE MOUNT

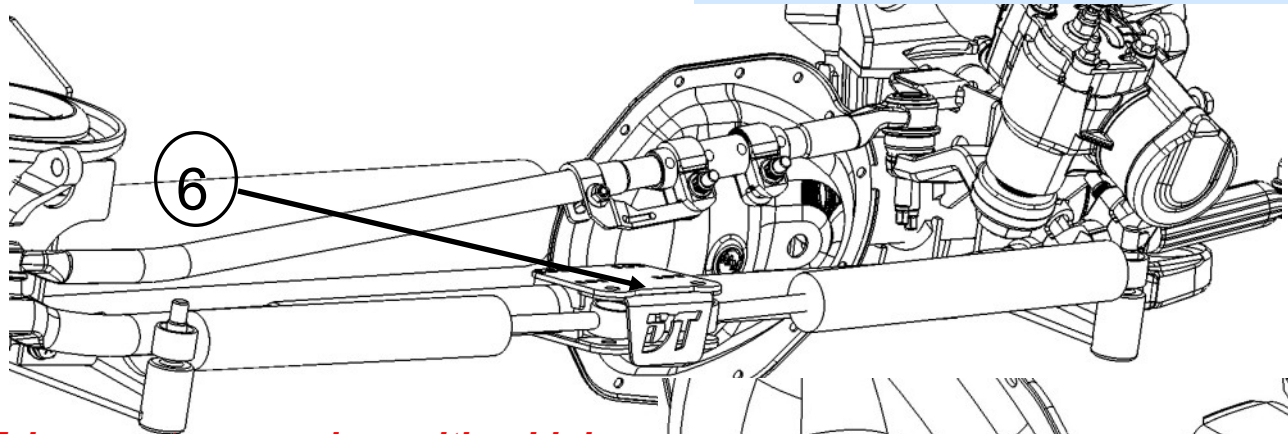
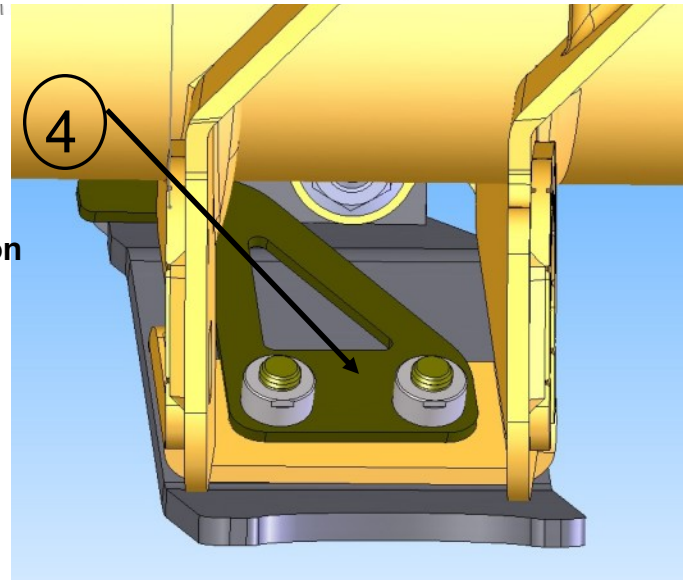
CENTER MOUNT



1. Loosely mount driver & passenger side mounts with provided 1/2"-13 x 1.25" bolts. To line up brackets for drilling of the lower mount holes. You may want to remove brackets to drill holes.

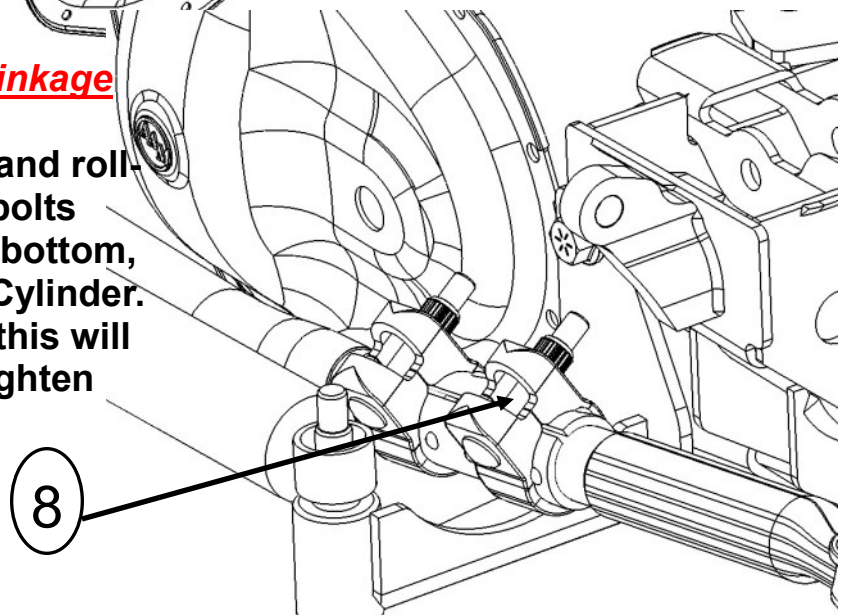


1. Drivers side bracket uses the modified 1/2" flange nut that has been ground flat on one side.
2. Install nut through hole in spring mount.
3. Drill 2 3/8" holes in axle mount using bracket as layout template.
4. Install driver & passenger side nut retainers on the proper side and install 2 3/8"-16 x 1.0" bolts *Tighten to 35 FT-LBS*
5. *Tighten 1/2"-13 x 1.0" bolts 90 FT-LB*
6. Install Center Mount onto steering linkage, using the 3/8"-16 x 2.50" bolts, Do not tighten until you insert the 2 dampers.
7. Line dampers up inline.



8. **Take care to properly position Linkage Adjusting Collars.**

Doing 1 at a time, loosening and rolling about linkage, making sure bolts clear Dual Damper Mount at the bottom, Sway Bar bracket, and Damper Cylinder. Do not turn adjusting sleeve as this will change your TOE settings. Retighten adjuster nuts.



# WARRANTY

Thank you for your purchase of a DT PROFAB product. We appreciate your business.

## IMPORTANT INFORMATION:

### Notice to Owner Operator, Dealer and Installer:

**Please make sure your Dealer/Installer explains and delivers all warning notices, warranty forms and instruction sheets included with DT PROFAB product.** DT PROFAB reserves the right to update as necessary, without notice, and will not be held responsible for misprints, changes or variations made by vehicle manufacturers.

**Please note that certain mechanical aspects of any suspension lift product may accelerate ordinary wear of original equipment components.** The installation of certain DT PRDFAB products may void the vehicle's factory warranty as it pertains to certain covered parts; it is the consumer's responsibility to check with their local dealer for warranty coverage before installation of any DT PROFAB product.

### Warranty and Return policy:

DT PROFAB warrants its full line of products to be free from defects in workmanship and materials. DT PROFAB's obligation under this warranty is limited to repair or replacement, at DT PROFAB's option, of the defective product. **Any and all costs of removal, installation, freight or incidental or consequential damages are expressly excluded from this warranty.** DT PROFAB is not responsible for damages and/or warranty of other vehicle parts related or non-related to the installation of DT PROFAB product. A consumer who makes the decision to modify his vehicle with aftermarket components of any kind will assume all risk and responsibility for potential damages incurred as a result of their chosen modifications. Warranty coverage does not include consumer opinions regarding ride comfort, fitment and design. Warranty claims can be made directly with DT PROFAB or at any authorized DT PROFAB dealer.

### Claims NOT Covered Under DT PROFAB Warranty

- **Parts subject to normal wear, to include bushings, bump stops, ball joints, heim joints**
- **Coating Finish after 90 days**
- **Discontinued products at DT PRODUCTS, INC/DT PROFAB discretion**
- **Bent or dented product**
- **Leaf or coil springs used without proper bump stops**
- **Products with evident damage caused by abrasion or contact with other items**
- **Damage caused as a result of not following recommendations or requirements in the installation manuals**
- **Products used in applications other than listed in DT PROFAB's catalog**
- **Components or accessories used in conjunction with other manufacturer's systems**
- **Warranty claims without *Proof of Purchase* DT PROFAB accepts no responsibility for any altered product, improper installation, lack of or improper maintenance, or improper use of our products.**

**DT PRO FAB**  
**Information & order Info**  
**[www.dtprofab.com](http://www.dtprofab.com)**  
**Email at [sales@dtprofab.com](mailto:sales@dtprofab.com)**  
**Phone 928.776.4129**