



# **DT ProFab**

**PERFORMANCE SUSPENSIONS**

## **DTPO2026 DUAL DAMPER KIT**



**WARNING:** This product can expose you to chemicals including; Hexavalent Chromium which is known to the State of California to cause cancer or birth defects or reproductive harm.  
For more information, visit [www.P65Warnings.ca.gov](http://www.P65Warnings.ca.gov)



## WARNING

## PRE-INSTALLATION NOTES:

- Read and understand all instructions, warnings and cautions in these instructions, before the installation or use of this product. **DO NOT INSTALL** or use this product if there is anything you do not understand in these instructions or related materials.
- Proper installation of DT Profab products requires knowledge of recommended procedures for disassembly/assembly of OE vehicles and components (i.e. steering tie rods, control arms, brake calipers, etc.). Access to OE shop manuals and special tools might be required. Attempting to install this kit without knowledge of these procedures and/or without the proper tools, may affect the safety of your vehicle and/or the performance of these components.
- DT Profab strongly recommends that this kit be installed by a Professional Technician.
- Certain DT Profab products are intended to improve On-Road and Off-Highway performance. Modifying your vehicle for off-road use may result in the vehicle handling differently than a factory equipped vehicle. Use of oversize tires, suspension lifts, body lifts and other suspension modifications may raise your vehicle's center of gravity resulting in an increased tendency for the vehicle to pitch and roll during sudden turns or abrupt maneuvers. Extreme care must be used to prevent loss of control or vehicle roll over. Failure to drive your modified vehicle safely may result in serious injury or death. Drive at reduced speeds to ensure your ability to maintain control of the vehicle under all driving conditions. Always wear seat belts.
- **DO NOT** combine suspension lifts, body lifts or other lift devices. Combined use of lifts may result in unsafe and/or unexpected handling characteristics (see enclosed product safety **WARNING** label).
- The use of larger than OE tire and wheel combinations may reduce the effectiveness of the braking system and increase the amount of pedal pressure necessary to obtain a given braking distance with normal stops and increase the stopping distance in a panic stop.



## CAUTION

## PRODUCT SAFETY LABEL:

- The suspension of this vehicle has been modified to improve **ON and OFF-ROAD PERFORMANCE**.
- As a result, this vehicle may handle differently than factory equipped vehicles.
- Extreme care must be used to prevent loss of control or roll over during sharp turns or abrupt maneuvers.
- Failure to drive this vehicle safely may result in serious injury or death.
- Take time to re-aquaint yourself with **NEW** unique handling characteristics of your vehicle and are confident of your ability to maintain control under all driving conditions.

**Always wear seat belts, and drive safely.**

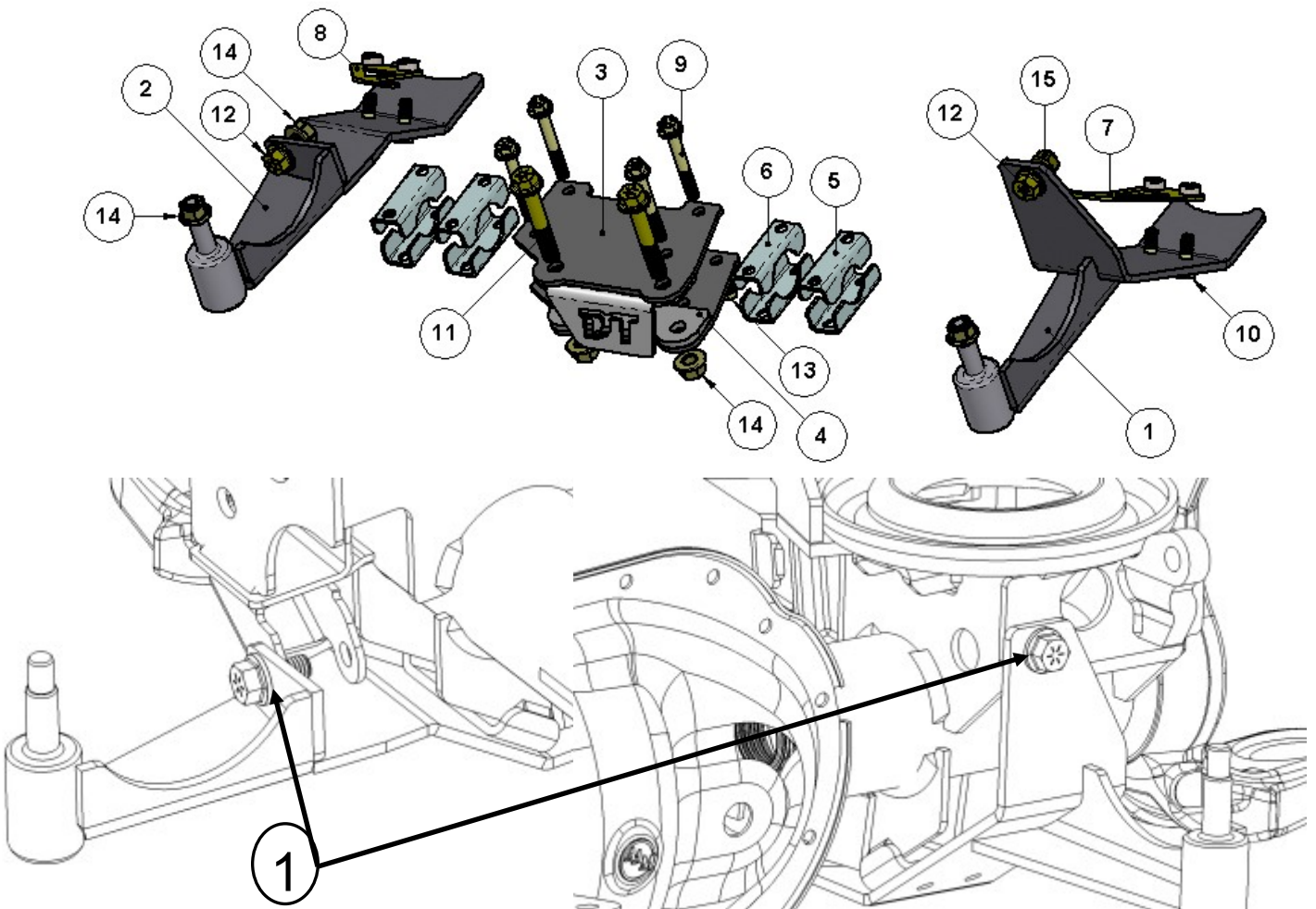


## CAUTION

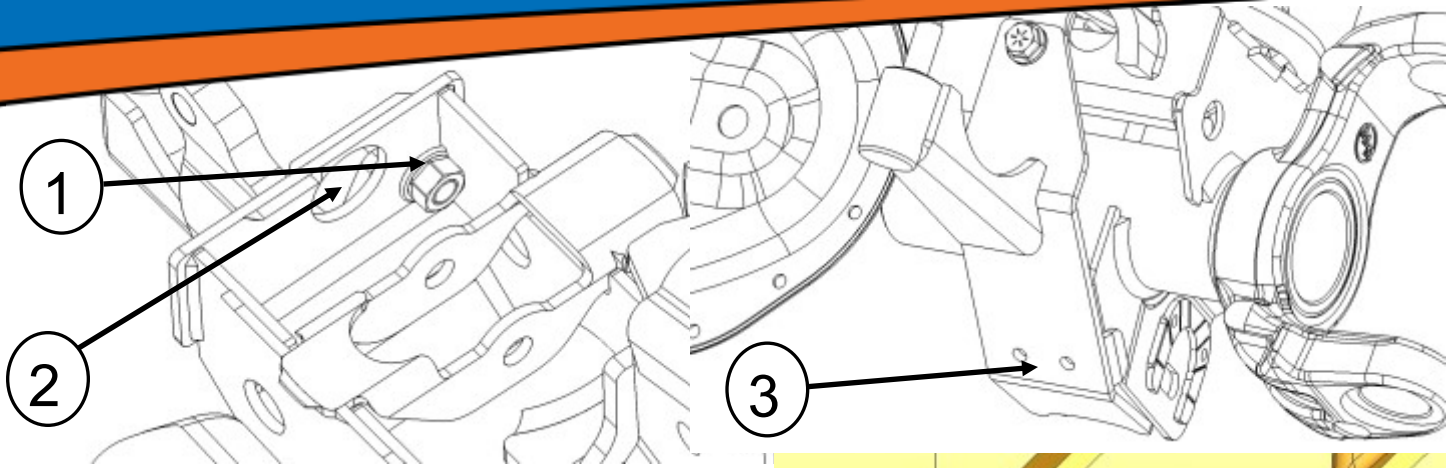
Coil springs store energy. Always release the load on coil springs in a slow and controlled manner. Use a safety chain or cable to prevent the possibility of the spring coming loose and causing injury. We recommend using a high quality internal type coil spring compressor when removing and installing springs.

Thank you for your purchase of the DT Profab Dual Damper Kit. Please check kit hardware before you start.

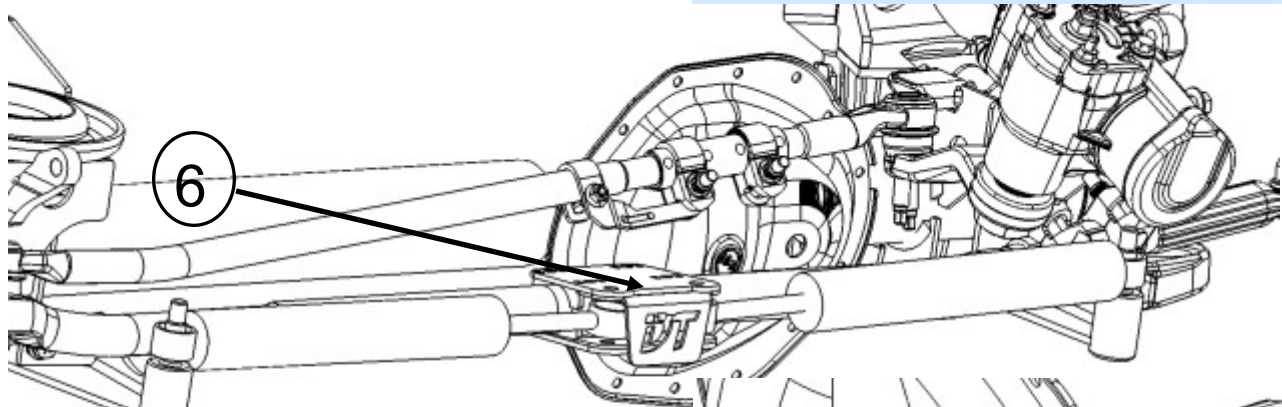
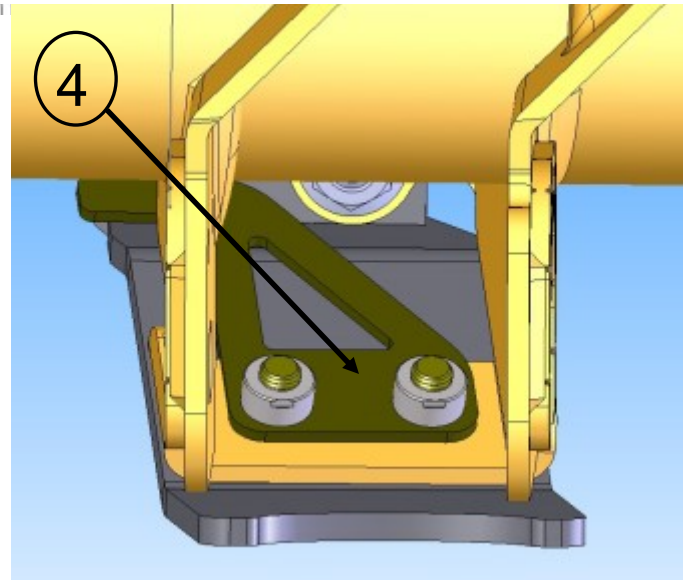
ITEM NO.	PART NUMBER	DESCRIPTION	MATERIAL	STOCKSIZE	QTY.	Weight
1	02026-110	Dodge Ram GEN 3 Dual Steering Damper Mnt - DS			1	5.02
2	02026-120	Dodge Ram GEN 3 Dual Steering Damper Mnt - PS			1	4.28
3	02026-151A	Dual Damper TieRod Clamp (UPPER)			1	1.864
4	02026-151B	Dual Damper TieRod Clamp (LOWER)			1	1.934
5	02026-170A	Stainless TieRod Clamp - 1 1/4"	304SS	0.105	4	0.161
6	02026-170B	Stainless TieRod Clamp- 1 5/8"	304SS	0.105	4	0.143
7	02026-160DS	Drivers Side Nut Retainer			1	0.16
8	02026-160PS	Passengers Side Nut Retainer			1	0.16
9	FLGBOLT37C275GR8	3/8"-16 x 2.75"-GRD 8 FLANGE BOLT	Alloy Steel		4	0.11
10	FLGBOLT37C100GR8	3/8"-16 X 1.00" GRD 8 FLANGE BOLT	Alloy Steel		4	0.06
11	FLGBOLT50C300GR8	1/2"-13 X 3.00" GRD 8 FLANGE BOLT	Alloy Steel		2	0.23
12	FLGBOLT50C125GR8	1/2"-13 X 1.25" GRD 8 FLANGE BOLT	Alloy Steel		2	0.14
13	FLGNUT37C	3/8"-16 FLANGE NUT	Alloy Steel		4	0.02
14	FLGNUT50C	1/2"-13 FLANGE LOC NUT	Alloy Steel		5	0.057
15	FLGNUT 50	MODIFIED 1/2"-13 FLANGE NUT			1	0.055
16	33-185606	BILSTEIN STEERING DAMPER			2	9.5



1. Loosely mount driver & passenger side mounts with provided 1/2"-13 x 1.25" bolts. To line up brackets for drilling of the lower mount holes. You may want to remove brackets to drill holes.



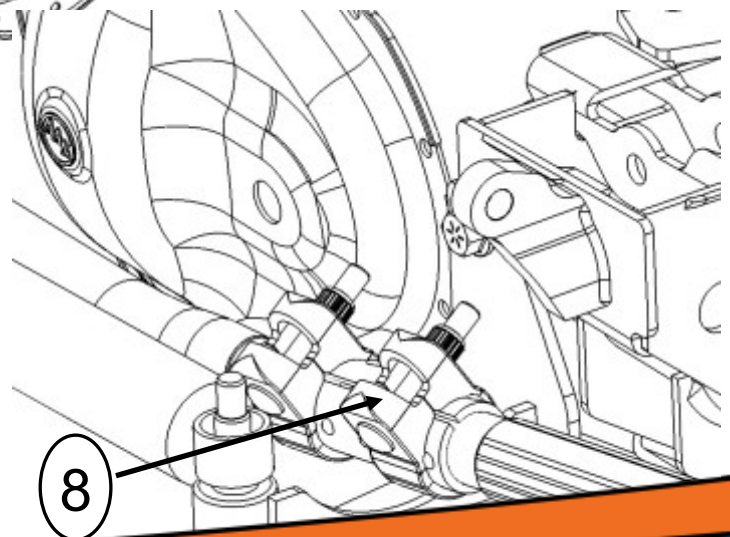
1. Drivers side bracket uses the modified 1/2" flange nut that has been ground flat on one side.
2. Install nut through hole in spring mount.
3. Drill 2 3/8" holes in axle mount using bracket as layout template.
4. Install driver & passenger side nut retainers on the proper side and install 2 3/8"-16 x 1.0" bolts *Tighten to 35 FT-LBS*
5. *Tighten 1/2"-13 x 1.0" bolts 90 FT-LB*
6. Install Center Mount onto steering linkage, using the 3/8"-16 x 2.50" bolts, Do not tighten until you insert the 2 dampers.
7. Line dampers up inline.



8. **Take care to properly position Linkage Adjusting Collars.**

Doing 1 at a time, loosening and rolling about linkage, making sure bolts clear Dual Damper Mount at the bottom, Sway Bar bracket, and Damper Cylinder.

Do not turn adjusting sleeve as this will change your TOE settings. Retighten adjuster nuts.





## WARNING

## POST-INSTALLATION NOTES:

- ⇒ Check all fasteners for proper torque before driving the vehicle for the first time with this kit.
- ⇒ Check all fasteners for proper torque after the first 500 miles, also it is recommended during routine vehicle servicing.
- ⇒ The components included in this kit require regular inspection for wear or damage. Worn, damaged or loose parts can fail suddenly resulting in loss of control of the vehicle and personal injury.
- ⇒ In ALL steering and suspension positions, check to ensure that there is adequate clearance between ALL rotating, moving, fixed and heated members. Ensure adequate clearance around steering components, exhaust components, brake lines, fuel lines, fuel tank and electrical wiring.
- ⇒ Visually inspect components for wear or damage after each off-road use and during routine vehicle servicing. Worn, damaged or loose parts can fail suddenly resulting in loss of control of the vehicle and personal injury.
- ⇒ In general, larger tire and wheel combinations may increase stress and wear on OEM components leading to increased maintenance and greater risk of component failure.
- ⇒ Property damage or personal injury may result.
- ⇒ Large tire and wheel combinations may also alter speedometer calibration, reduce braking effectiveness and alter vehicle center of gravity height (See product safety warnings).
- ⇒ For questions or suggestions, contact our Technical Assistance Department at (928) 776-4129.

## TORQUE SPECIFICATIONS:

1/4 FASTENERS.....	10 FT.-LBS.
5/16 FASTENERS.....	17 FT.-LBS.
3/8 FASTENERS.....	30 FT.-LBS.
7/16-14 FASTENERS .....	50 FT.-LBS.
7/16-20 FASTENERS .....	55 FT.-LBS.
1/2-13 FASTENERS.....	75 FT.-LBS.
1/2 U-BOLTS.....	65-80 FT.-LBS.
9/16 FASTENERS.....	110 FT.-LBS.
9/16 GRADE 8 FASTENERS.....	170 FT.-LBS.
9/16 U-BOLTS.....	75-90 FT.-LBS.
5/8 FASTENERS.....	150 FT.-LBS.
5/8 U-BOLTS.....	85-110 FT.-LBS.
3/4 FASTENERS.....	175 FT.-LBS.

## GLOSSARY OF TERMS:

DS	Drivers side of the vehicle
PS	Passengers side of the vehicle
RH	Right hand thread (Clockwise to tighten)
LH	Left hand thread (Counterclockwise to tighten)
OE	Original equipment

# WARRANTY

Thank you for your purchase of a DT PROFAB product. We appreciate your business.

## IMPORTANT INFORMATION:

### Notice to Owner Operator, Dealer and Installer:

**Please make sure your Dealer/Installer explains and delivers all warning notices, warranty forms and instruction sheets included with DT PROFAB product.** DT PROFAB reserves the right to update as necessary, without notice, and will not be held responsible for misprints, changes or variations made by vehicle manufacturers.

**Please note that certain mechanical aspects of any suspension lift product may accelerate ordinary wear of original equipment components.** The installation of certain DT PRDFAB products may void the vehicle's factory warranty as it pertains to certain covered parts; it is the consumer's responsibility to check with their local dealer for warranty coverage before installation of any DT PROFAB product.

### Warranty and Return policy:

DT PROFAB warrants its full line of products to be free from defects in workmanship and materials. DT PROFAB's obligation under this warranty is limited to repair or replacement, at DT PROFAB's option, of the defective product. **Any and all costs of removal, installation, freight or incidental or consequential damages are expressly excluded from this warranty.** DT PROFAB is not responsible for damages and/or warranty of other vehicle parts related or non-related to the installation of DT PROFAB product. A consumer who makes the decision to modify his vehicle with aftermarket components of any kind will assume all risk and responsibility for potential damages incurred as a result of their chosen modifications. Warranty coverage does not include consumer opinions regarding ride comfort, fitment and design. Warranty claims can be made directly with DT PROFAB or at any authorized DT PROFAB dealer.

### Claims NOT Covered Under DT PROFAB Warranty

- **Parts subject to normal wear, to include bushings, bump stops, ball joints, heim joints**
- **Coating Finish after 90 days**
- **Discontinued products at DT PRODUCTS, INC/DT PROFAB discretion**
- **Bent or dented product**
- **Leaf or coil springs used without proper bump stops**
- **Products with evident damage caused by abrasion or contact with other items**
- **Damage caused as a result of not following recommendations or requirements in the installation manuals**
- **Products used in applications other than listed in DT PROFAB's catalog**
- **Components or accessories used in conjunction with other manufacturer's systems**
- **Warranty claims without *Proof of Purchase* DT PROFAB accepts no responsibility for any altered product, improper installation, lack of or improper maintenance, or improper use of our products.**



**DT PRO FAB**  
**Information & order Info**  
[www.dtprofab.com](http://www.dtprofab.com)  
Email at [sales@dtprofab.com](mailto:sales@dtprofab.com)  
Phone 928.776.4129