



DT ProFab

PERFORMANCE SUSPENSIONS

DTPO2072

GEN 2, 3 & 4

OEM Link Arm Kit



WARNING: This product can expose you to chemicals including; Hexavalent Chromium which is known to the State of California to cause cancer or birth defects or reproductive harm.
For more information, visit www.P65Warnings.ca.gov



WARNING

PRE-INSTALLATION NOTES:

- Read and understand all instructions, warnings and cautions in these instructions, before the installation or use of this product. **DO NOT INSTALL** or use this product if there is anything you do not understand in these instructions or related materials.
- Proper installation of DT Profab products requires knowledge of recommended procedures for disassembly/assembly of OE vehicles and components (i.e. steering tie rods, control arms, brake calipers, etc.). Access to OE shop manuals and special tools might be required. Attempting to install this kit without knowledge of these procedures and/or without the proper tools, may affect the safety of your vehicle and/or the performance of these components.
- DT Profab strongly recommends that this kit be installed by a Professional Technician.
- Certain DT Profab products are intended to improve On-Road and Off-Highway performance. Modifying your vehicle for off-road use may result in the vehicle handling differently than a factory equipped vehicle. Use of oversize tires, suspension lifts, body lifts and other suspension modifications may raise your vehicle's center of gravity resulting in an increased tendency for the vehicle to pitch and roll during sudden turns or abrupt maneuvers. Extreme care must be used to prevent loss of control or vehicle roll over. Failure to drive your modified vehicle safely may result in serious injury or death. Drive at reduced speeds to ensure your ability to maintain control of the vehicle under all driving conditions. Always wear seat belts.
- **DO NOT** combine suspension lifts, body lifts or other lift devices. Combined use of lifts may result in unsafe and/or unexpected handling characteristics (see enclosed product safety **WARNING** label).
- The use of larger than OE tire and wheel combinations may reduce the effectiveness of the braking system and increase the amount of pedal pressure necessary to obtain a given braking distance with normal stops and increase the stopping distance in a panic stop.



CAUTION

PRODUCT SAFETY LABEL:

- The suspension of this vehicle has been modified to improve **ON and OFF-ROAD PERFORMANCE**.
- As a result, this vehicle may handle differently than factory equipped vehicles.
- Extreme care must be used to prevent loss of control or roll over during sharp turns or abrupt maneuvers.
- Failure to drive this vehicle safely may result in serious injury or death.
- Take time to re-aquaint yourself with **NEW** unique handling characteristics of your vehicle and are confident of your ability to maintain control under all driving conditions.

Always wear seat belts, and drive safely.



CAUTION

Coil springs store energy. Always release the load on coil springs in a slow and controlled manner. Use a safety chain or cable to prevent the possibility of the spring coming loose and causing injury. We recommend using a high quality internal type coil spring compressor when removing and installing springs.

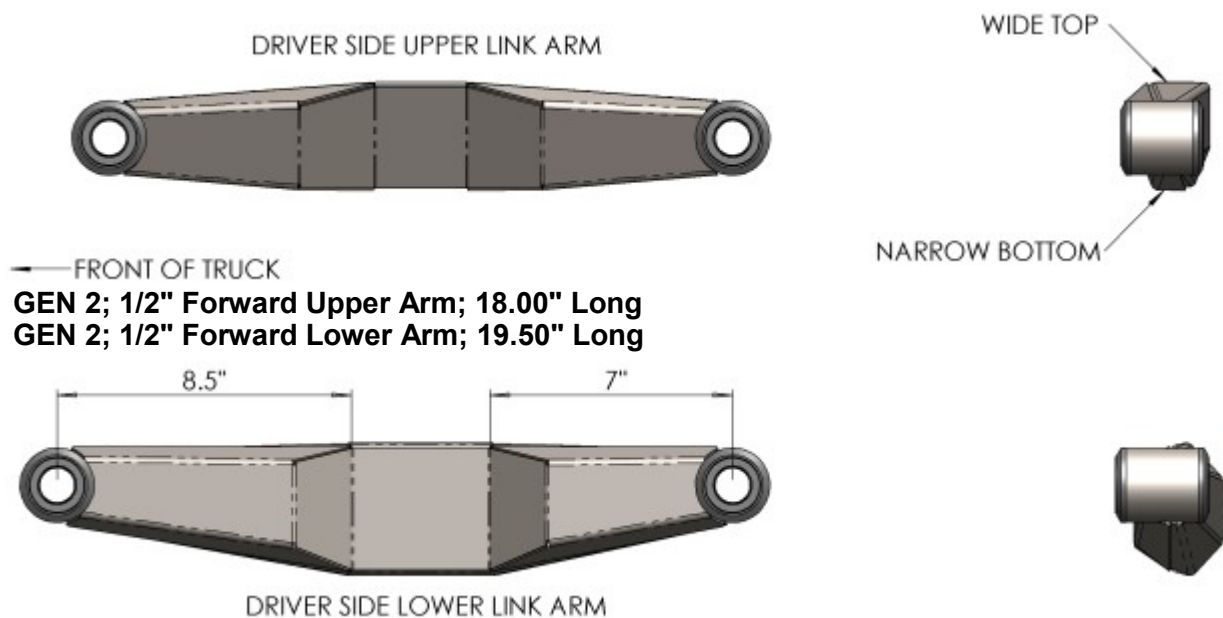
TORQUE SPECIFICATIONS:

1/4 FASTENERS.....	10 FT.-LBS.
5/16 FASTENERS.....	17 FT.-LBS.
3/8 FASTENERS.....	30 FT.-LBS.
7/16-14 FASTENERS	50 FT.-LBS.
7/16-20 FASTENERS	55 FT.-LBS.
1/2-13 FASTENERS	75 FT.-LBS.
1/2 U-BOLTS	65-80 FT.-LBS.
9/16 FASTENERS.....	110 FT.-LBS.
9/16 GRADE 8 FASTENERS	170 FT.-LBS.
9/16 U-BOLTS	75-90 FT.-LBS.
5/8 FASTENERS.....	150 FT.-LBS.
5/8 U-BOLTS	85-110 FT.-LBS.
3/4 FASTENERS.....	175 FT.-LBS.

GLOSSARY OF TERMS:

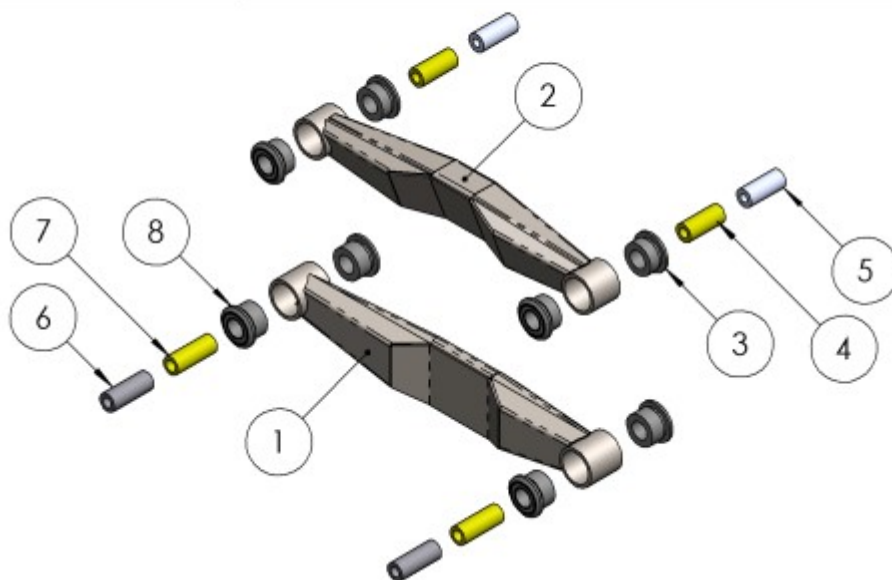
DS	Drivers side of the vehicle
PS	Passengers side of the vehicle
RH	Right hand thread (Clockwise to tighten)
LH	Left hand thread (Counterclockwise to tighten)
OE	Original equipment

1. THANK YOU FOR THE PURCHASE OF THIS DT PROFAB KIT.
2. BEFORE YOU START INSTALLATION, PLEASE INSPECT BOX FOR MISSING CONTENTS IMMEDIATELY.
3. SAFELY RAISE AND SUPPORT FRONT OF TRUCK.
4. WORK ON ONE SIDE AT A TIME TO KEEP CONTROL OF FRONT AXLE.
5. DETERMINE YEAR OF TRUCK AND INSTALL BUSHINGS AND STEEL SLEEVES THAT GO TO THAT MODEL YEAR.
6. NOTE THE CASTER ADJUSTER POSITION PRIOR TO REMOVAL OF STOCK ARMS.
7. REMOVE STOCK ARMS FROM TRUCK CHASSIS.
8. INSTALL NEW UPPER ARM FIRST FOLLOWED BY THE LOWER.
9. **NOTE: ON GEN 3 TRUCKS, ON THE PASSENGER SIDE UPPER LINK ARM YOU WILL NEED TO REMOVE NUT, DRIVE BOLT BACK TO DOWN PIPE, AND CUT HEAD OF BOLT OFF. INSTALL THE PROVIDED 14MM BOLT FROM THE OUTSIDE INWARD.**
10. DO NOT TORQUE BOLTS UP AT THIS TIME.
11. DUPLICATE PROCESS FOR OTHER SIDE OF TRUCK.
12. UPPER ARM TORQUE SPECS; *AXLE END NUT = 89 Ft lbs, FRAME END NUT = 110 Ft lbs*
13. LOWER ARM TORQUE SPECS; *AXLE END NUT = 110 Ft lbs, FRAME END NUT = 150 Ft lbs*
14. AS YOU TORQUE LOWER ARM BOLTS REPOSITION CASTER ADJUSTER TO PRIOR SETTING.
15. LUBE LINK ARMS WITH THE INCLUDED GREASE DURING ASSEMBLY.
16. HAVE TRUCK ALIGNED, WE RECOMMEND 4-5 DEGREES OF CASTER.



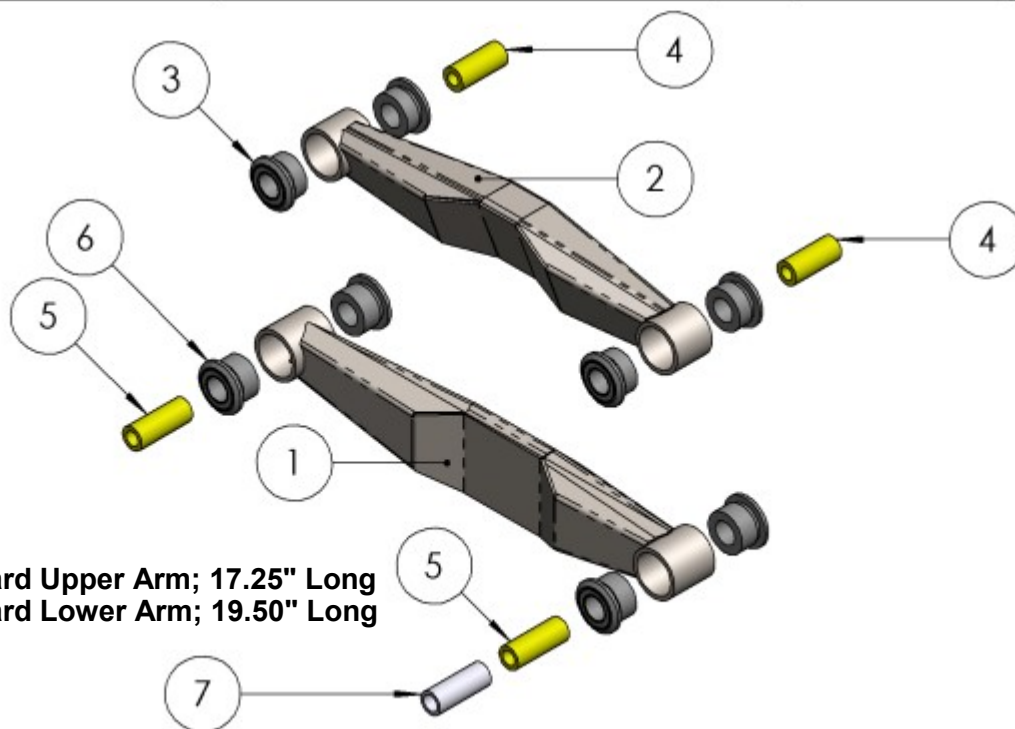
GEN 2 PARTS LIST (1994-2002)

ITEM NO.	PART NUMBER	DESCRIPTION	QTY.
1	02072-06	GEN 2,3,4 .50" FORWARD LOWER ARM	2
2	02072-02	GEN 2 .50" FORWARD UPPER ARM	2
3	67589	UPPER ARM - LIFETIME WARRANTY BUSHINGS	8
4	CTL09-02B	CRUSH SLEEVE; 99-11 UPPER LINK	4
5	CTL09-02A	CRUSH SLEEVE; 94-98 UPPER LINK	4
6	CTL09-02C	CRUSH SLEEVE; 94-98 LOWER LINK	4
7	CTL09-02D	CRUSH SLEEVE; 99-09 LOWER LINK	4
8	67588	LOWER ARM - LIFETIME WARRANTY BUSHINGS	8



GEN 3 PARTS LIST (2003-2013)

ITEM NO.	PART NUMBER	DESCRIPTION	QTY.
1	02072-06	GEN 2,3,4 .50" FORWARD LOWER ARM	2
2	02072-03	GEN 3 &4 .50" FORWARD UPPER ARM	2
3	67589	UPPER ARM - LIFETIME WARRANTY BUSHINGS	8
4	CTL09-02B	CRUSH SLEEVE; 99-11 UPPER LINK	4
5	CTL09-02D	CRUSH SLEEVE; 99-09 LOWER LINK	4
6	67588	LOWER ARM - LIFETIME WARRANTY BUSHINGS	8
7	CTL09-02E	CRUSH SLEEVE; 2009-UP LOWER LINK	2
8	BOLT14mm	14MM X 146MM (5.75")	1



GEN 3-4; 1/2" Forward Upper Arm; 17.25" Long
 GEN 3-4; 1/2" Forward Lower Arm; 19.50" Long

LUBE BUSHINGS WITH INCLUDED GREASE DURING ASSEMBLY. REUSE FACTORY BOLTS.

UPPER ARM TORQUE SPECS
 AXLE NUT = 89 Ft lbs
 FRAME NUT = 110 Ft lbs

LOWER ARM TORQUE SPECS
 AXLE NUT = 110 Ft lbs
 FRAME NUT = 150 Ft lbs

UPON RECEIPT OF ARM KIT, INSPECT KIT FOR PARTS, COUNT, AND DEFECTS OF WORKMANSHIP.

WARRANTY: THE FABRICATION OF THE ARM IS WARRANTIED FOR AS LONG AS YOU OWN THE TRUCK.

BUSHINGS, SLEEVES AND THE FINISH ARE WEAR ITEMS AND NO WARRANTY IS EXPRESSED OR IMPLIED.

1: USE CORRECT GREASE

1: Provided Modified Moly Grease

2: Heavy Duty EXTREME Pressure Grease

3: CV Boot Grease



4: Provide Modified Moly Grease

2: INCORRECT GREASE



Wheel Bearing Grease

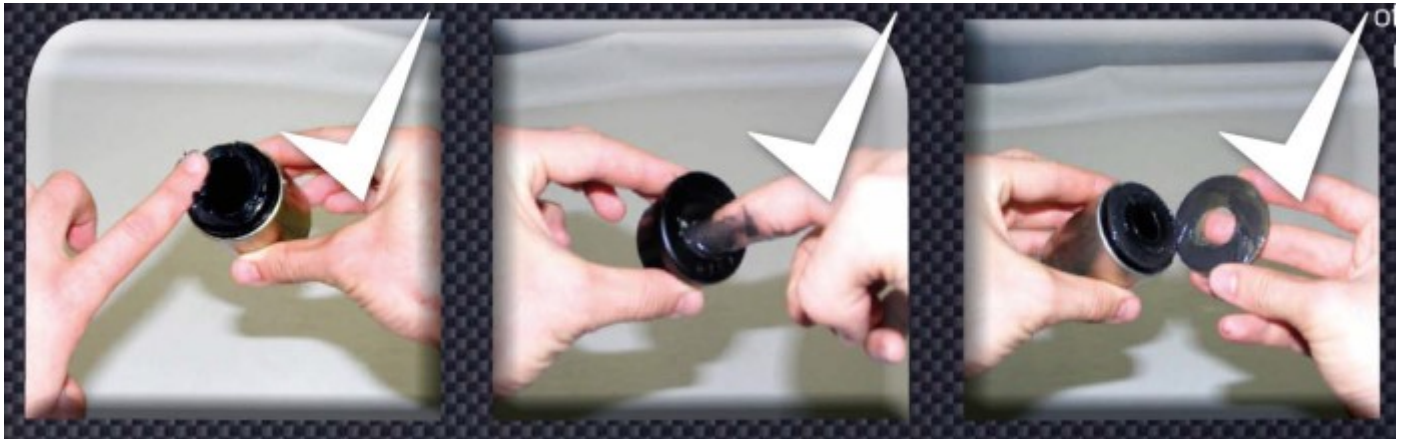
NO Grease At All !

Absolutely NO Rubber Grease

3: Un-Cleaned Mating Surfaces



4: Correct Grease Application



1

2

3

1: Lubricate Chassis to Bush Contact Surface

2: Lubricate Internal Pocket Knurling

3: Lubricate Any Washer Contact Surface

5: Incorrect Grease Application



1

2

3

1: DO NOT Lubricate outer Bushing Surface

2: DO NOT Lubricate outer Shell Surface

3: Always Clean & Lubricate Contact Surfaces



WARNING

POST-INSTALLATION NOTES:

- ⇒ **Check all fasteners for proper torque before driving the vehicle for the first time with this kit.**
- ⇒ **Check all fasteners for proper torque after the first 500 miles, also it is recommended during routine vehicle servicing.**
- ⇒ **The components included in this kit require regular inspection for wear or damage. Worn, damaged or loose parts can fail suddenly resulting in loss of control of the vehicle and personal injury.**
- ⇒ **In ALL steering and suspension positions, check to ensure that there is adequate clearance between ALL rotating, moving, fixed and heated members. Ensure adequate clearance around steering components, exhaust components, brake lines, fuel lines, fuel tank and electrical wiring.**
- ⇒ **Visually inspect components for wear or damage after each off-road use and during routine vehicle servicing. Worn, damaged or loose parts can fail suddenly resulting in loss of control of the vehicle and personal injury.**
- ⇒ **In general, larger tire and wheel combinations may increase stress and wear on OEM components leading to increased maintenance and greater risk of component failure.**
- ⇒ **Property damage or personal injury may result.**
- ⇒ **Large tire and wheel combinations may also alter speedometer calibration, reduce braking effectiveness and alter vehicle center of gravity height (See product safety warnings).**
- ⇒ **For questions or suggestions, contact our Technical Assistance Department at (928) 776-4129.**

WARRANTY

Thank you for your purchase of a DT PROFAB product. We appreciate your business.

IMPORTANT INFORMATION:

Notice to Owner Operator, Dealer and Installer:

Please make sure your Dealer/Installer explains and delivers all warning notices, warranty forms and instruction sheets included with DT PROFAB product. DT PROFAB reserves the right to update as necessary, without notice, and will not be held responsible for misprints, changes or variations made by vehicle manufacturers.

Please note that certain mechanical aspects of any suspension lift product may accelerate ordinary wear of original equipment components. The installation of certain DT PRDFAB products may void the vehicle's factory warranty as it pertains to certain covered parts; it is the consumer's responsibility to check with their local dealer for warranty coverage before installation of any DT PROFAB product.

Warranty and Return policy:

DT PROFAB warrants its full line of products to be free from defects in workmanship and materials. DT PROFAB's obligation under this warranty is limited to repair or replacement, at DT PROFAB's option, of the defective product. **Any and all costs of removal, installation, freight or incidental or consequential damages are expressly excluded from this warranty.** DT PROFAB is not responsible for damages and/or warranty of other vehicle parts related or non-related to the installation of DT PROFAB product. A consumer who makes the decision to modify his vehicle with aftermarket components of any kind will assume all risk and responsibility for potential damages incurred as a result of their chosen modifications. Warranty coverage does not include consumer opinions regarding ride comfort, fitment and design. Warranty claims can be made directly with DT PROFAB or at any authorized DT PROFAB dealer.

Claims NOT Covered Under DT PROFAB Warranty

- Parts subject to normal wear, to include bushings, bump stops, ball joints, heim joints
- Coatings & Finish after 90 days
- Discontinued products at DT PRODUCTS, INC/DT PROFAB discretion
- Bent or dented product
- Leaf or coil springs used without proper bump stops
- Products with evident damage caused by abrasion or contact with other items
- Damage caused as a result of not following recommendations or requirements in the installation manuals
- Products used in applications other than listed in DT PROFAB's catalog
- Components or accessories used in conjunction with other manufacturer's systems
- Warranty claims without *Proof of Purchase* DT PROFAB accepts no responsibility for any altered product, improper installation, lack of or improper maintenance, or improper use of our products.



WARNING: This product can expose you to chemicals including; Hexavalent Chromium which is known to the State of California to cause cancer or birth defects or reproductive harm. For more information, visit www.P65Warnings.ca.gov

DT PRO FAB
Information & order Info
www.dtprofab.com
Email at sales@dtprofab.com
Phone 928.776.4129